

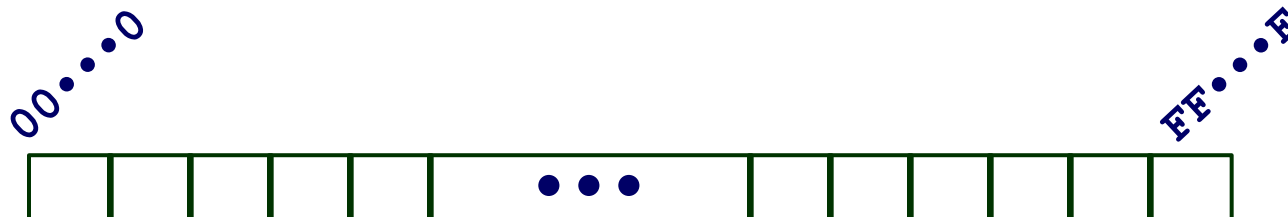
# Encoding Byte Values

## ■ Byte = 8 bits

- Binary  $00000000_2$  to  $11111111_2$
- Decimal:  $0_{10}$  to  $255_{10}$
- Hexadecimal  $00_{16}$  to  $FF_{16}$ 
  - Base 16 number representation
  - Use characters '0' to '9' and 'A' to 'F'
  - Write  $FA1D37B_{16}$  in C as
    - `0xFA1D37B`
    - `0xfa1d37b`

Hex	Decimal	Binary
0	0	0000
1	1	0001
2	2	0010
3	3	0011
4	4	0100
5	5	0101
6	6	0110
7	7	0111
8	8	1000
9	9	1001
A	10	1010
B	11	1011
C	12	1100
D	13	1101
E	14	1110
F	15	1111

# Byte-Oriented Memory Organization



## ■ Programs Refer to Virtual Addresses

- Conceptually very large array of bytes
- Actually implemented with hierarchy of different memory types
- System provides address space private to particular “process”
  - Program being executed
  - Program can clobber its own data, but not that of others

## ■ Compiler + Run-Time System Control Allocation

- Where different program objects should be stored
- All allocation within single virtual address space

# Machine Words

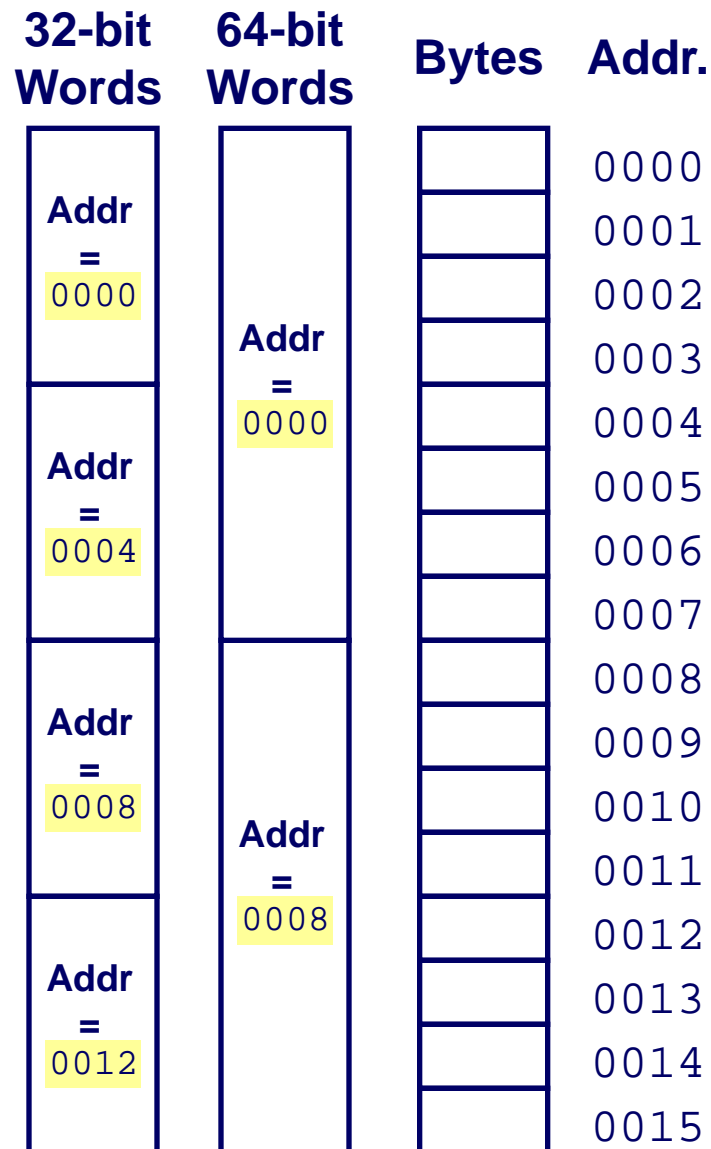
## ■ Machine Has “Word Size”

- Nominal size of integer-valued data
  - Including addresses
- Most current machines use 32 bits (4 bytes) words
  - Limits addresses to 4GB
  - Becoming too small for memory-intensive applications
- High-end systems use 64 bits (8 bytes) words
  - Potential address space  $\approx 1.8 \times 10^{19}$  bytes
  - x86-64 machines support 48-bit addresses: 256 Terabytes
- Machines support multiple data formats
  - Fractions or multiples of word size
  - Always integral number of bytes

# Word-Oriented Memory Organization

## ■ Addresses Specify Byte Locations

- Address of first byte in word
- Addresses of successive words differ by 4 (32-bit) or 8 (64-bit)



# Data Representations

C Data Type	Typical 32-bit	Intel IA32	x86-64
char	1	1	1
short	2	2	2
int	4	4	4
long	4	4	8
long long	8	8	8
float	4	4	4
double	8	8	8
long double	8	10/12	10/16
pointer	4	4	8

# Byte Ordering

- **How should bytes within a multi-byte word be ordered in memory?**
- **Conventions**
  - Big Endian: Sun Sparc (bi), older PPC Macs (bi), Internet, JPEG
    - Least significant byte has highest (numerically largest) address
  - Little Endian: x86, x86-64, ARM (bi), PCI and USB buses, BMP
    - Least significant byte has lowest (numerically smallest) address

# Byte Ordering Example

## ■ Big Endian

- Least significant byte has highest address

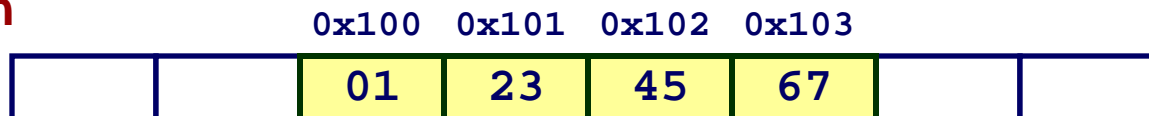
## ■ Little Endian

- Least significant byte has lowest address

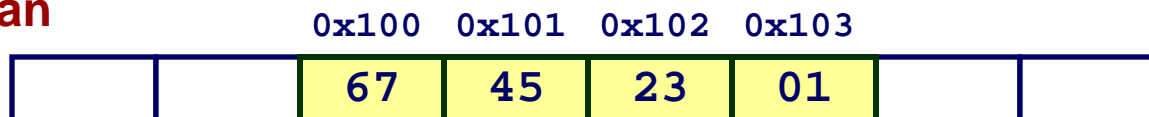
## ■ Example

- Variable x has 4-byte representation 0x01234567
- Address given by &x is 0x100

### Big Endian



### Little Endian



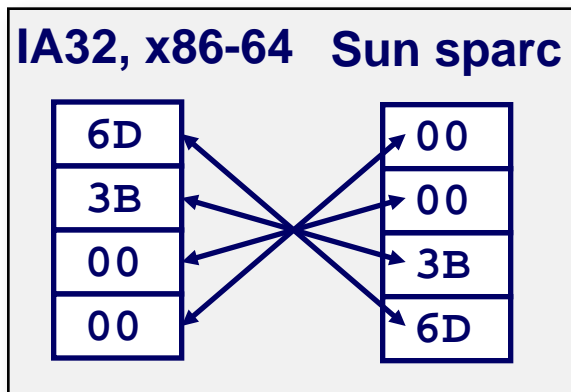
# Representing Integers

Decimal: 15213

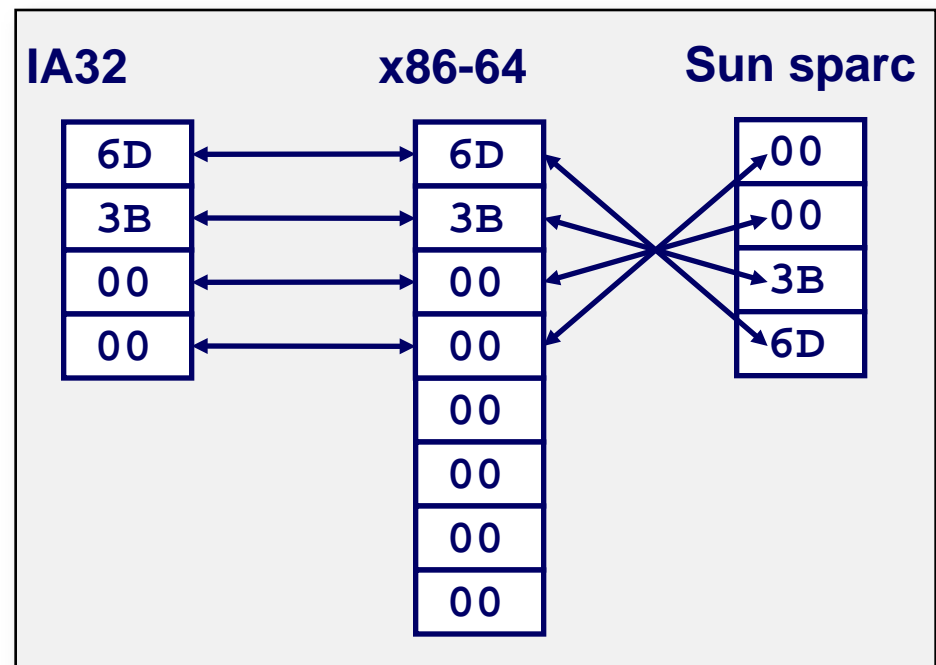
Binary: 0011 1011 0110 1101

Hex: 3 B 6 D

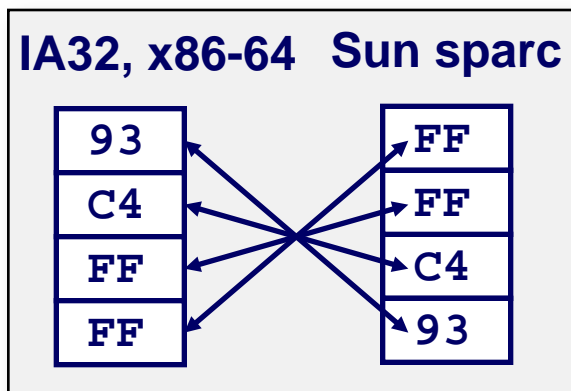
int A = 15213;



long int C = 15213;



int B = -15213;



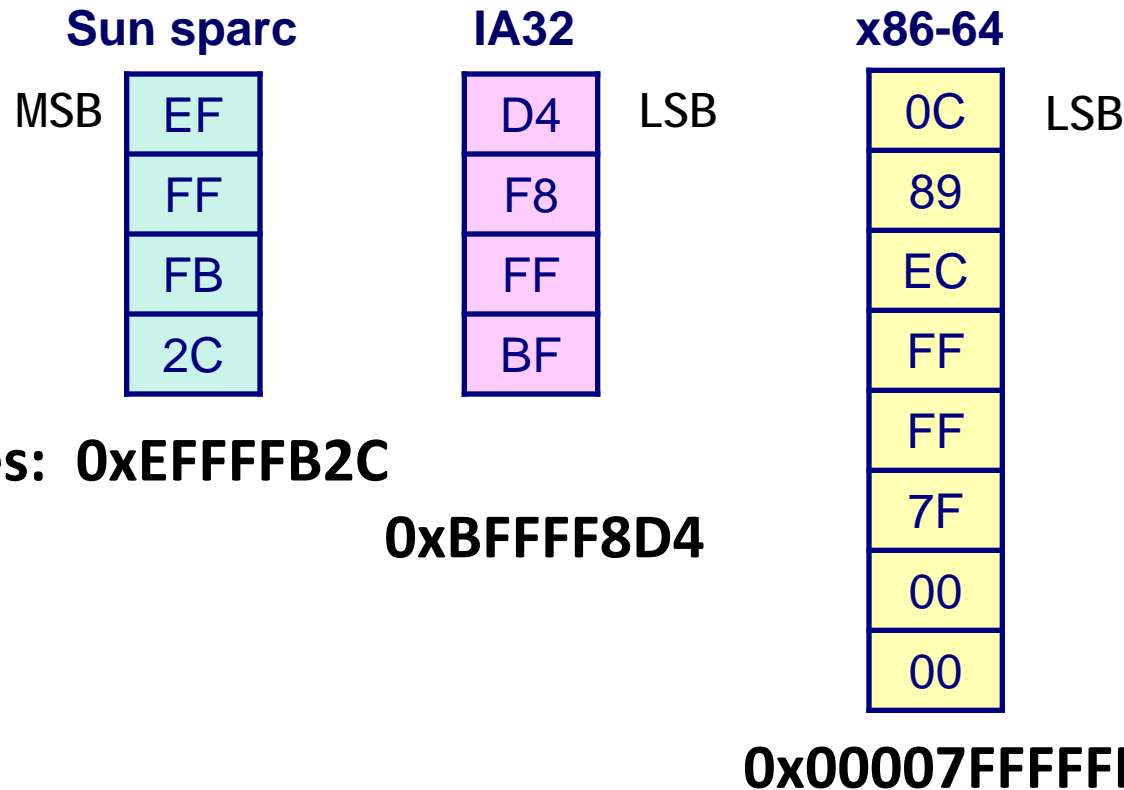
Two's complement representation  
(Covered later)

1111 1111 1111 1111 1100 0100 1001 0011  
F F F F C 4 9 3



# Representing Pointers

```
int B = -15213;
int *P = &B;
```



**Different compilers & machines assign different locations to objects**

# Representing Strings

```
char S[6] = "18243";
```

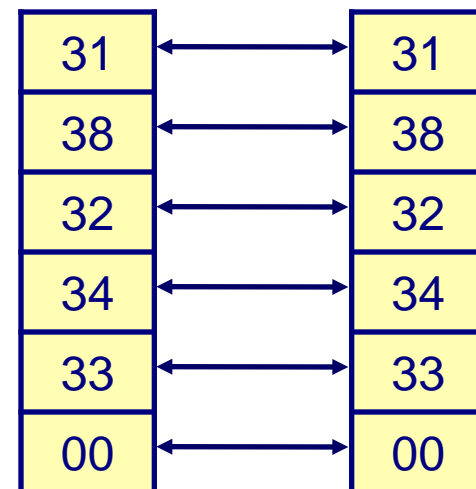
## ■ Strings in C

- Represented by array of characters
- Each character encoded in ASCII format
  - Standard 7-bit encoding of character set
  - Character "0" has code 0x30
    - Digit  $i$  has code  $0x30+i$
- String should be null-terminated
  - Final character = 0

## ■ Compatibility

- Byte ordering not an issue
- First character code in a string is always at numerically smallest address, regardless of endianness

**X86, x86-64**      **Sun sparc**



# Encoding Integers

## Unsigned

$$B2U(X) = \sum_{i=0}^{w-1} x_i \cdot 2^i$$

## Two's Complement

$$B2T(X) = -x_{w-1} \cdot 2^{w-1} + \sum_{i=0}^{w-2} x_i \cdot 2^i$$

```
short int x = 15213;
short int y = -15213;
```

Sign  
Bit



## ■ C short 2 bytes long

	Decimal	Hex	Binary
<b>x</b>	15213	3B 6D	00111011 01101101
<b>y</b>	-15213	C4 93	11000100 10010011

## ■ Sign Bit

- For 2's complement, most significant bit indicates sign
  - 0 for nonnegative
  - 1 for negative

# Encoding Example (Cont.)

$x =$             15213: 00111011 01101101  
 $y =$             -15213: 11000100 10010011

Weight	15213		-15213	
1	1	1	1	1
2	0	0	1	2
4	1	4	0	0
8	1	8	0	0
16	0	0	1	16
32	1	32	0	0
64	1	64	0	0
128	0	0	1	128
256	1	256	0	0
512	1	512	0	0
1024	0	0	1	1024
2048	1	2048	0	0
4096	1	4096	0	0
8192	1	8192	0	0
16384	0	0	1	16384
-32768	0	0	1	-32768
<b>Sum</b>	<b>15213</b>		<b>-15213</b>	

# Numeric Ranges

## ■ Unsigned Values

- $UMin = 0$   
000...0
- $UMax = 2^w - 1$   
111...1

## ■ Two's Complement Values

- $TMin = -2^{w-1}$   
100...0
- $TMax = 2^{w-1} - 1$   
011...1

## ■ Other Values

- Minus 1  
111...1

### Values for $W = 16$

	Decimal	Hex	Binary
<b>UMax</b>	<b>65535</b>	<b>FF FF</b>	<b>11111111 11111111</b>
<b>TMax</b>	<b>32767</b>	<b>7F FF</b>	<b>01111111 11111111</b>
<b>TMin</b>	<b>-32768</b>	<b>80 00</b>	<b>10000000 00000000</b>
<b>-1</b>	<b>-1</b>	<b>FF FF</b>	<b>11111111 11111111</b>
<b>0</b>	<b>0</b>	<b>00 00</b>	<b>00000000 00000000</b>

# Values for Different Word Sizes

	W			
	8	16	32	64
<b>UMax</b>	255	65,535	4,294,967,295	18,446,744,073,709,551,615
<b>TMax</b>	127	32,767	2,147,483,647	9,223,372,036,854,775,807
<b>TMin</b>	-128	-32,768	-2,147,483,648	-9,223,372,036,854,775,808

## ■ Observations

- $|TMin| = TMax + 1$ 
  - Asymmetric range
- $UMax = (2 * TMax) + 1$

## ■ C Programming

- `#include <limits.h>`
- Declares constants, e.g.,
  - `ULONG_MAX`
  - `LONG_MAX`
  - `LONG_MIN`
- Values platform specific

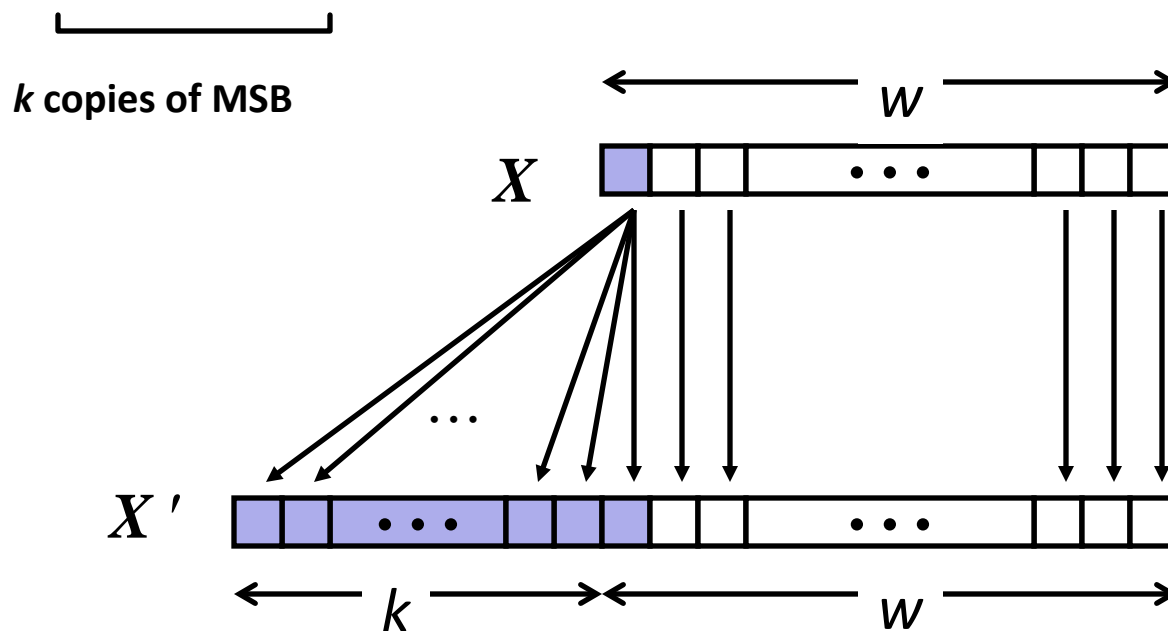
# Sign Extension

## ■ Task:

- Given  $w$ -bit signed integer  $x$
- Convert it to  $w+k$ -bit integer with same value

## ■ Rule:

- Make  $k$  copies of sign bit:
- $X' = \underbrace{x_{w-1}, \dots, x_{w-1}}_{k \text{ copies of MSB}}, x_{w-1}, x_{w-2}, \dots, x_0$



# Sign Extension Example

```
short int x = 15213;
int      ix = (int) x;
short int y = -15213;
int      iy = (int) y;
```

	Decimal	Hex	Binary
<b>x</b>	15213	3B 6D	00111011 01101101
<b>ix</b>	15213	00 00 3B 6D	00000000 00000000 00111011 01101101
<b>y</b>	-15213	C4 93	11000100 10010011
<b>iy</b>	-15213	FF FF C4 93	11111111 11111111 11000100 10010011

- Converting from smaller to larger integer data type
- C automatically performs sign extension